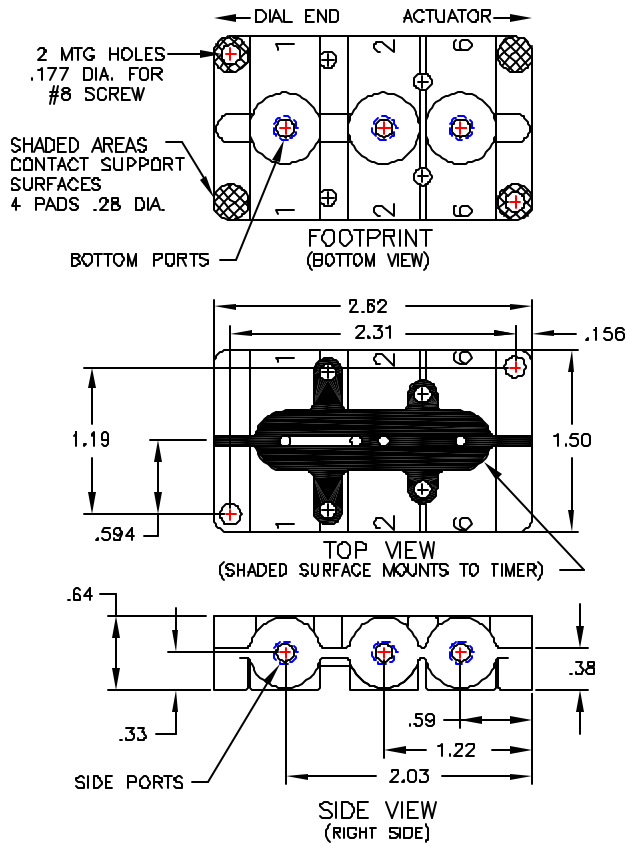
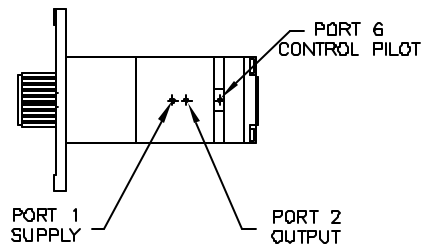


(OPTIONAL) SPA SERIES SUBPLATE-MANIFOLD



TIMER PORT LOCATIONS:

(w/o Subplate or manifold)



HOW TO ORDER:

SPA 1 C

PRODUCT IDENTIFIER
 SPA = PMT Subplate
 Subplate
 Pneumatic
 Accessory

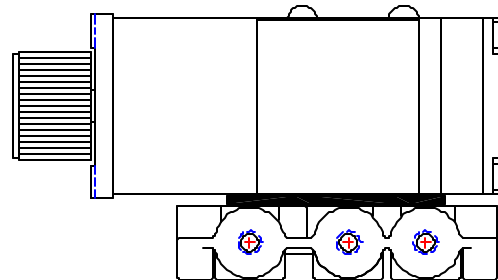
PORT TAPPING

- 1 = #10-32 Female Straight Thread
- 2 = 1/8" NPTF Female Pipe Thread

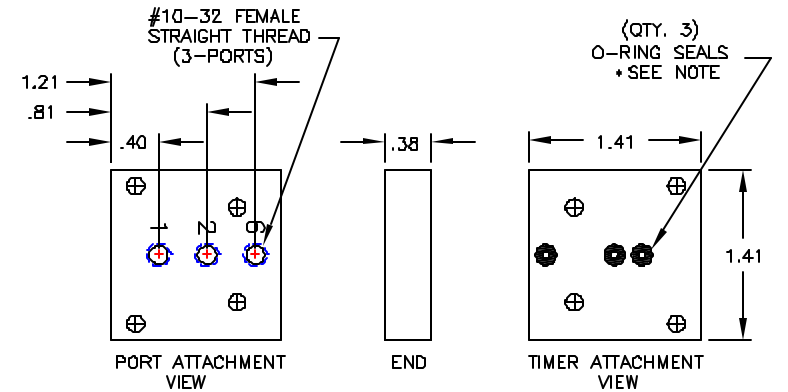
PORT LOCATIONS & NO. OF CONNECTIONS

- A = 3 bottom ports only
- B = 6 side ports only
- C = 6 side ports and 3 bottom ports

TIMER & SPA1C

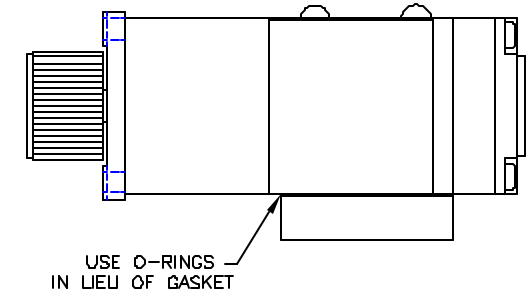


(OPTIONAL) MFD1A MANIFOLD



*NOTE: DISCARD SUBPLATE GASKET THAT IS SUPPLIED WITH TIMER WHEN USING THIS MANIFOLD. THE O-RING SEALS PROVIDED WITH MANIFOLD ARE TO BE USED IN LIEU OF THAT GASKET.

TIMER & MFD1A



ELLIS/KUHNKE CONTROLS

DRAWN BY EJJ	3/1/00	PANELMOUNT-HORIZONTAL BEZEL PMT SERIES TIMERS	
CHECKED		SIZE B	F5CM N1
ISSUED		DWG. NO.	STYLE 3
		SHEET 2 OF 2	