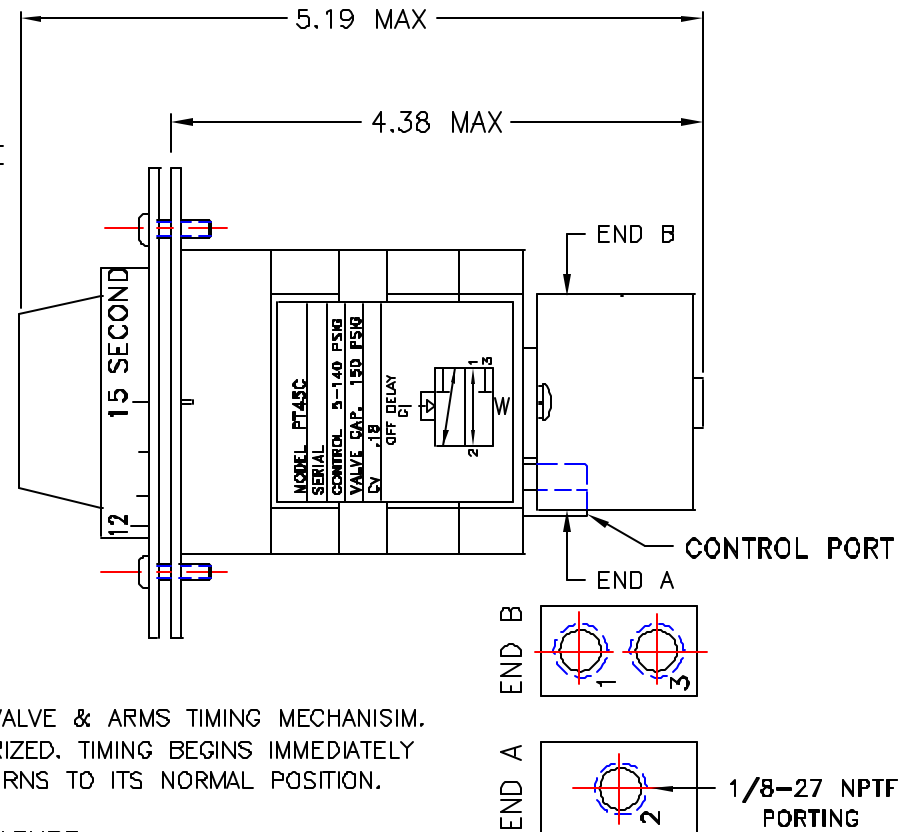
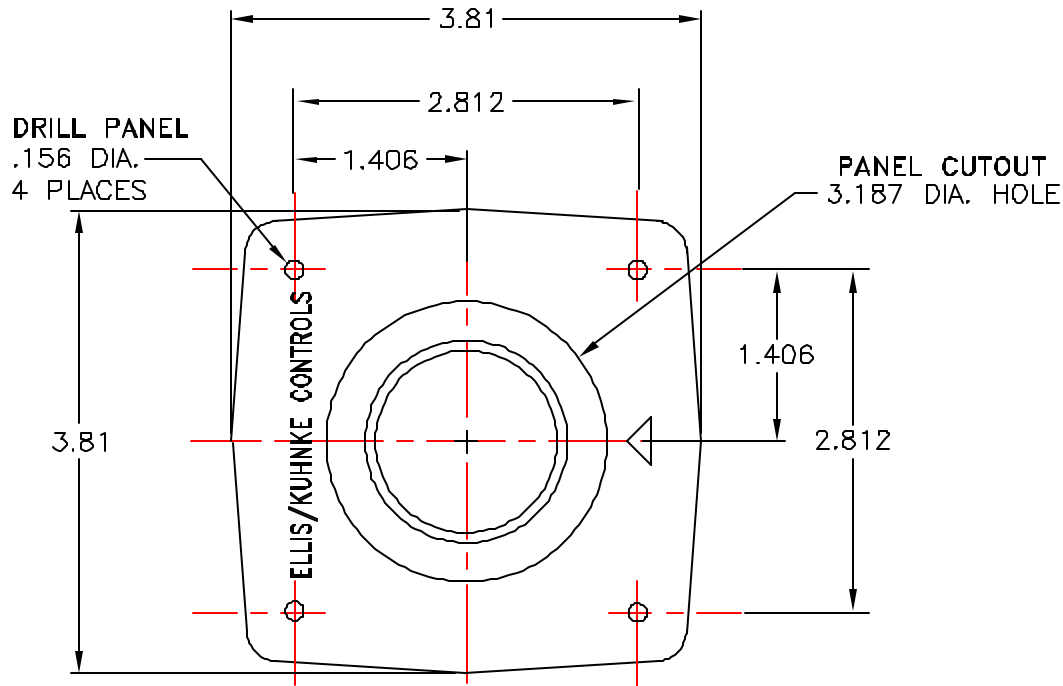


REVISIONS			
REV.	DESCRIPTION	DATE	APPROVAL
A	RELEASE NEW DRAWING	8/15/95	



**OPERATION**

APPLYING SPECIFIED PRESSURE TO THE CONTROL PORT TRANSFERS 3-WAY SPOOL VALVE & ARMS TIMING MECHANISM. VALVE REMAINS IN TRANSFERRED POSITION AS LONG AS CONTROL PORT IS PRESSURIZED. TIMING BEGINS IMMEDIATELY UPON REMOVAL OF AIR PRESSURE. AT THE END OF THE DELAY PERIOD, VALVE RETURNS TO ITS NORMAL POSITION.

**TIME RANGE**

- 0.1 TO 1 SEC
- 0.5 TO 5 SEC
- 1.5 TO 15 SEC
- 5 TO 50 SEC
- 20 TO 200 SEC
- 1 TO 300 SEC
- 1 TO 10 MIN
- 3 TO 30 MIN
- 6 TO 60 MIN

**MODEL**

- PT45A
- PT45B
- PT45C
- PT45D
- PT45E
- PT45K
- PT45F
- PT45H
- PT45I

**OPERATING PRESSURE**

5 TO 140 PSIG

**MEDIA**

3-5 MICRON FILTERED AIR  
OR NONAGGRESSIVE GAS  
NON-LUBRICATED

**REPEAT ACCURACY**

UP TO 200 SEC ±5%  
OVER 200 SEC ±10%

**OPERATING TEMPERATURE**

-30°C TO 70°C (-20°F TO 165°F)

**OUTPUT VALVE**

Cv - 0.25  
FLOW @ 100 PSI - 9 CFM  
MULTI PURPOSE 3-WAY SPOOL  
28" Hg TO 300 PSIG

<b>ELLIS/KUHNKE CONTROLS</b>			
DRAWN BY	EJL	<b>PNEUMATIC TIMER OFF DELAY - PANELMOUNT</b>	
CHECKED	8/15/95	SIZE B	FSCM NO.
ISSUED		DWG. NO.	PT 45
		SCALE 4:1	SHEET 1 OF 2