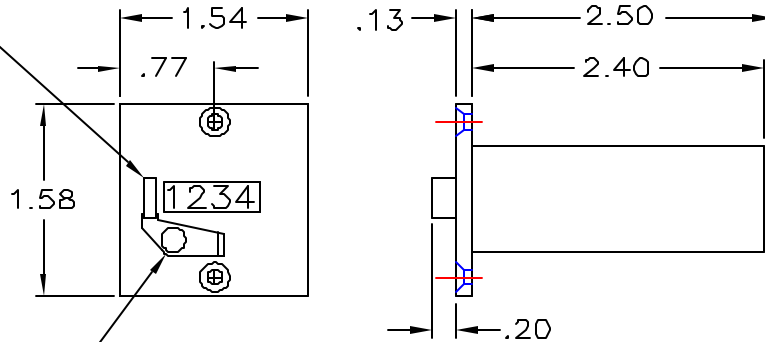
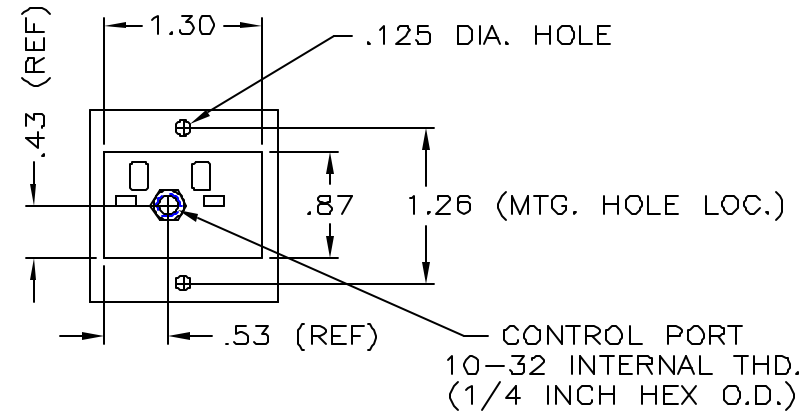


MANUAL RESET BUTTON
(MODELS LPM1411 & LPM1411V ONLY)



RESET GUARD
(MODEL LPM1411V ONLY)

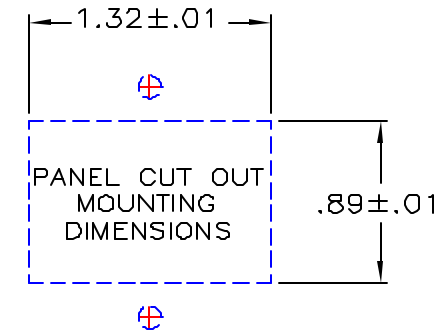


CONTROL PORT
10-32 INTERNAL THD.
(1/4 INCH HEX O.D.)

CAUTION: DO NOT OVER TIGHTEN
DURING ASSEMBLY OF
MATING FITTING.

TECHNICAL DATA:

- OPERATING PRESSURE RANGE - 7.5 TO 30 PSI
 - MAXIMUM COUNT SPEED - 10 CPS (CYCLES PER SECOND)
 - OPERATING TEMPERATURE RANGE - 32°F TO 140°F
 - WEIGHT - 2.5 OUNCES
 - COLOR - CASE (BLACK), LETTERS (WHITE)
 - DIGIT SIZE - .16 INCH (4mm)
 - DUTY CYCLE - CONTINUOUS (MIN. PULSE DURATION 8ms)
(MIN PAUSE DURATION 10ms)
 - MEDIA - FILTERED AIR OR NONAGGRESSIVE GAS NON-LUBRICATED
- NOTE: 1 - PRESSURE MUST DROP TO 0 PSI BETWEEN PULSES.
2 - DO NOT LUBRICATE (DEVICE IS SELF LUBRICATING)



HOW TO ORDER: AVAILABLE IN THE FOLLOWING MODELS

- LPM1410 = NON-RESET VERSION
- LPM1411 = MANUAL PUSH BUTTON RESET
- LPM1411V = P.B. RESET WITH RESET GUARD

ELLIS/KUHNKE CONTROLS			
DRAWN BY	EJL	8/15/02	4 - DIGIT LPM COUNTER PANELMOUNT VERSION
CHECKED			
ISSUED		SIZE	DWG. NO.
		B	LPM141*
		SCALE	SHEET
		.70	