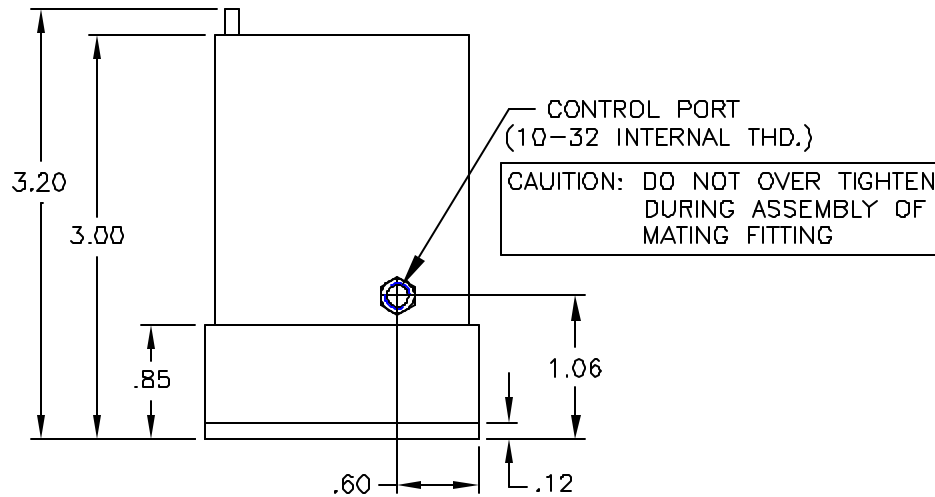
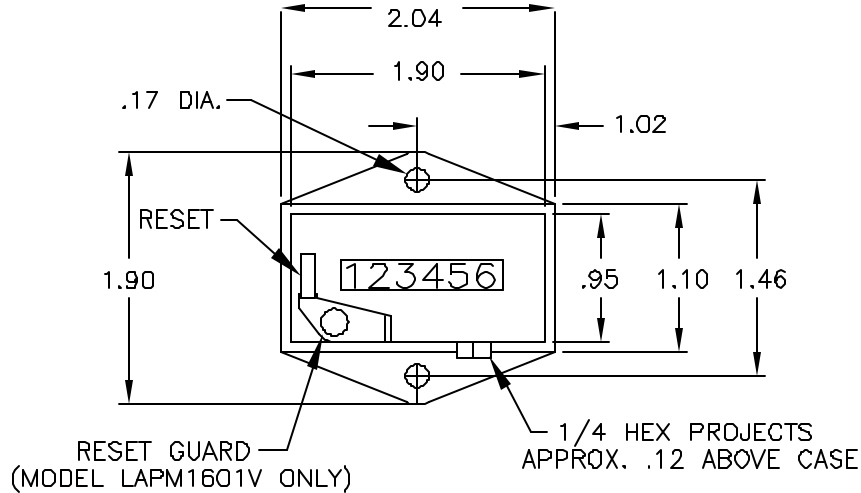


OPERATING PRESSURE RANGE - 7.5 TO 30 PSI
 MAXIMUM COUNT SPEED - 10 CPS (CYCLES PER SECOND)
 OPERATING TEMPERATURE RANGE - 32°F TO 140°F
 WEIGHT - 3.6 OUNCES
 COLOR - CASE (BLACK), NUMBERS (WHITE)
 DUTY CYCLE - CONTINUOUS (MIN. PULSE DURATION 8MS)
 (MIN. PAUSE DURATION 10ms)
 MEDIA - FILTERED AIR OR NONAGGRESSIVE GAS
 NON-LUBRICATED

NOTE: CONTROL PRESSURE MUST DROP TO 0 PSI BETWEEN PULSES.



HOW TO ORDER: AVAILABLE IN THE FOLLOWING MODELS
 LAPM1600 = NON-RESET MODEL
 LAPM1601 = MANUAL PUSH BUTTON RESET
 LAPM1601V = MANUAL PUSH BUTTON RESET WITH GUARD

		ELLIS/KUHNKE CONTROLS			
		DRAWN BY	EJL	8/14/02	6 - DIGIT LAPM COUNTER BASE MOUNT VERSION
MATERIAL	CHECKED				
FINISH	ISSUED	SIZE	FSCM NO.	DWG. NO.	
DO NOT SCALE DRAWING		A		LAPM160*	A
		SCALE	.70	SHEET	1 OF 1