

TECHNICAL SPECIFICATIONS:

OPERATING PRESSURE:
 15-100 PSI (low pressure version)
 30-100 PSI (high pressure version)

CONNECTIONS:
 10-32 threads

CONTROL PRESSURE:
 (A) Low Pressure 15 to 100 PSI
 (B) High Pressure 30 to 100 PSI

MEDIA:
 Filtered Air or non-aggressive gas,
 non-lubricated.

TIMING START:
 Continuous application of pilot pressure
 to control port.

RESET:
 Immediately resets upon removal of
 pilot pressure from control port. whether
 the time interval has elapsed or not.

RESET TIME:
 60 ms at 50 PSI

REPEATABILITY:
 ± 3%

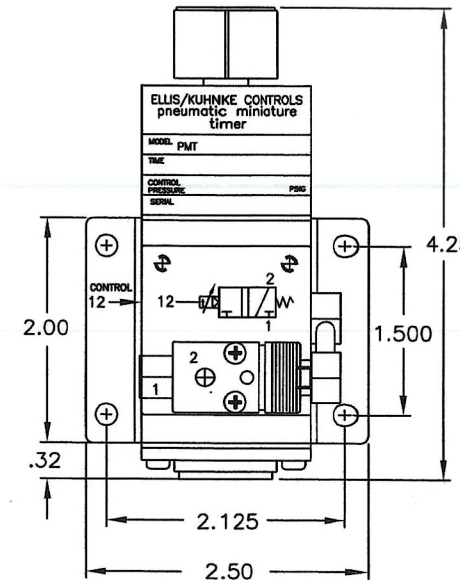
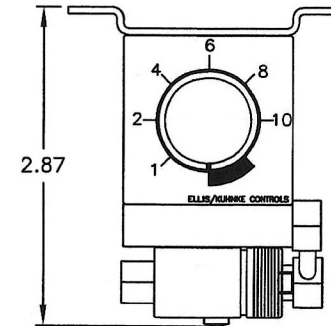
TIME SETTING:
 Via adjustment knob.
 Accuracy ± 10%

OPERATION:
 On-delay Time delay upon energization.
 Application of air to control (pilot)
 port.

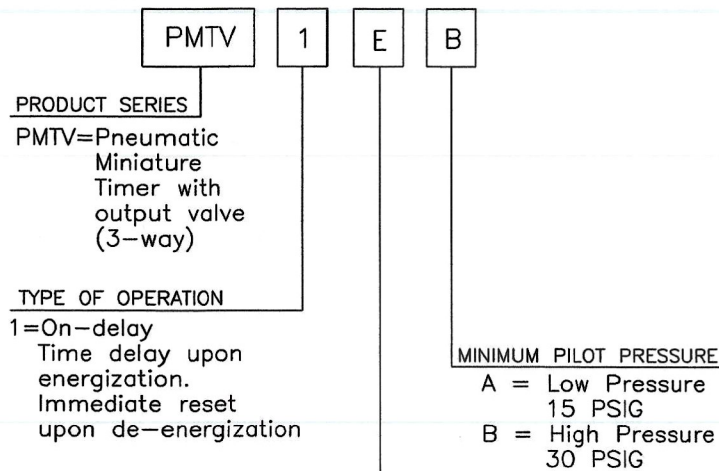
AIR CONSUMPTION: (During timing cycle only)
 .1 CFM at 100 PSI

MATERIALS:
 Acetal and Polycarbonate enclosure,
 Diaphragms are Buna N.

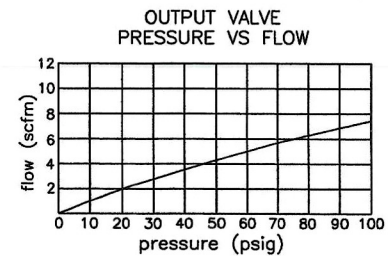
OPERATING AMBIENT:
 0°C to 65°C (32°F to 150°F)



HOW TO ORDER: (EXAMPLE PMTV1EB)



FLOW OUTPUT VALVE: (3-WAY)
 4.0 scfm @ 50 psig
 6.8 scfm @ 100 psig



TIME RANGES
 D = 0.3 - 3 seconds
 E = 1.0 - 10 seconds
 F = 3.0 - 30 seconds
 G = 6.0 - 60 seconds
 H = 12 - 120 seconds
 J = 18 - 180 seconds

UNLESS OTHERWISE SPECIFIED DIMENSIONS ARE IN INCHES. TOLERANCES ARE: FRACTIONS DECIMALS ANGLES ± .015 .XX± .010 ± 1° .XXX± .005		ELLIS/KUHNKE CONTROLS			
MATERIAL	ISSUED	SIZE B	FSCM NO.	DWG. NO. PMTV	SHEET
DO NOT SCALE DRAWING					