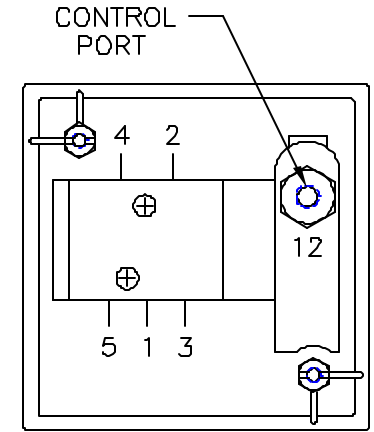
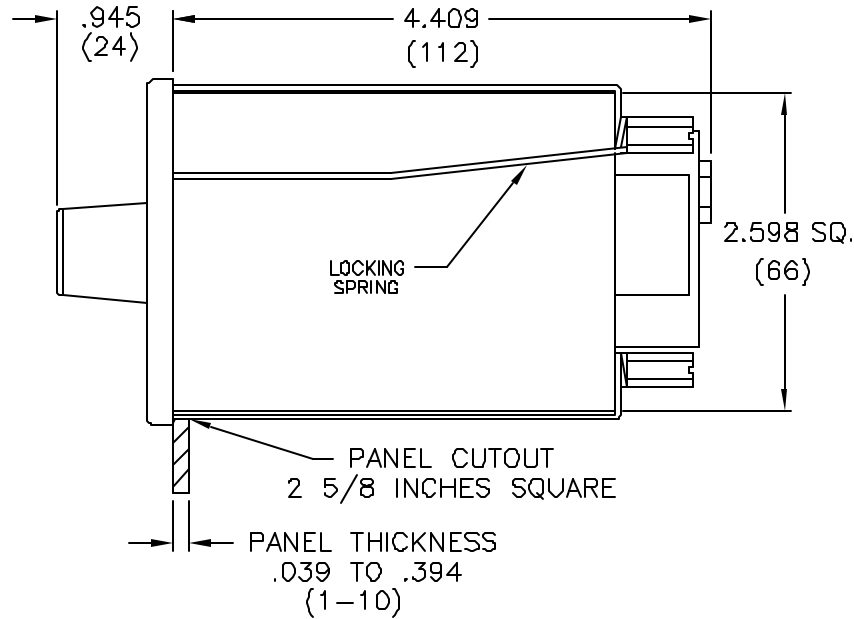


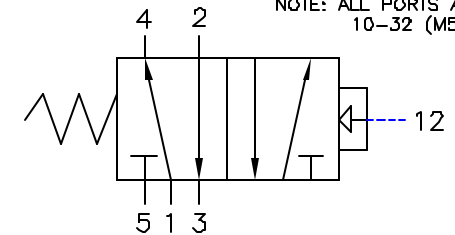
TIME RANGE	MODEL
0.3 to 10 secs.	54021
3 to 100 secs.	54022
0.3 to 10 mins.	54023
3 to 100 mins.	54024
0.3 to 10 hrs.	54025
3 to 100 hrs.	54026

OPERATION:

The 54-Series timer is a totally pneumatic timer with $\pm 1\%$ FS repeatability. Timing is fully adjustable throughout the timing range by turning the front dial. The front dial displays both set time and time remaining in the time cycle. The timer is supplied with a 4-way (5 ported) output valve. Timing begins by applying continuous specified pressure to the control port 12. At the end of the delay period, 4-way valve transfers and remains in this position until pressure is removed. When control port pressure is removed, timer resets and output valve returns to its initial (normal) position. Removing continuous pressure during the timing cycle will reset the timing mechanism for another full delay period upon re-pressurization.



NOTE: ALL PORTS ARE 10-32 (M5)



PORT IDENTIFICATION:

12 - Timer control port

VALVE PORTS

- 1 - System air supply
- 2 - Valve output at end of timing
- 3 - Exhaust for port 2
- 4 - Valve output during timing
- 5 - Exhaust for port 4

Timer valve is 4-way (5 ported). Valve is supplied from factory plugged with a cap nut in port 4 for post timing output. For output during timing move plug to port 2. For full 4-way operation remove nut.

ELLIS/KUHNKE CONTROLS					
DRAWN BY	EJL	5/25/00	54 - SERIES PNEUMATIC TIMER		
CHECKED			SIZE	FSCM	DWG. NO.
ISSUED			B		54 SERIES
			SCALE	4:1	SHEET 1 of 2