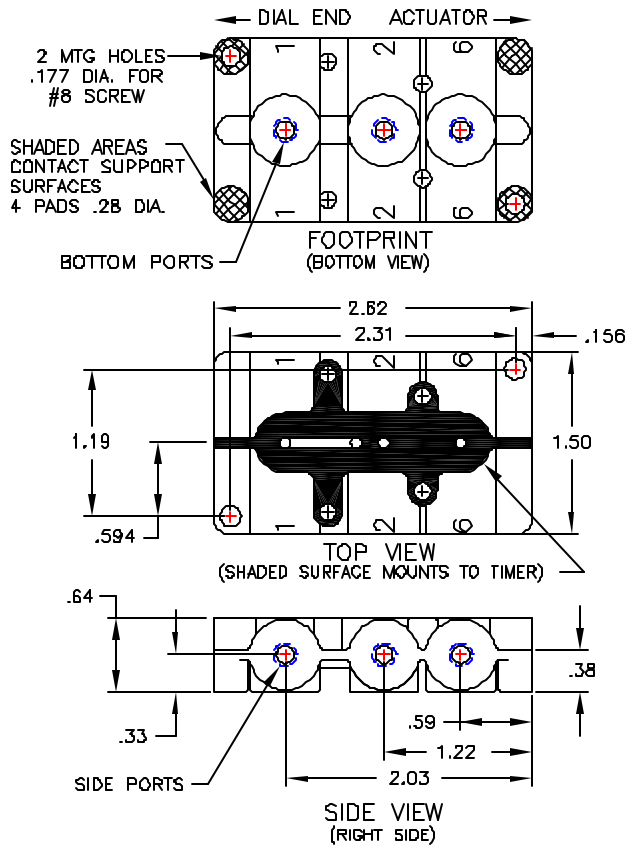
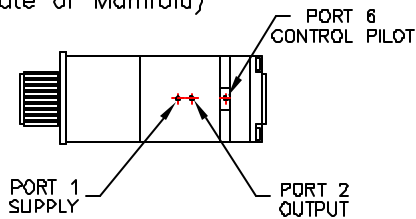


(OPTIONAL) SPA SERIES SUBPLATE-MANIFOLD



TIMER PORT LOCATIONS:
(W/O Subplate or Manifold)



HOW TO ORDER:

SPA 1 C

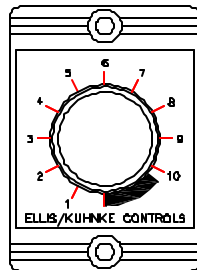
PRODUCT IDENTIFIER
SPA = PMT Subplate
Subplate
Pneumatic
Accessory

PORT TAPPING

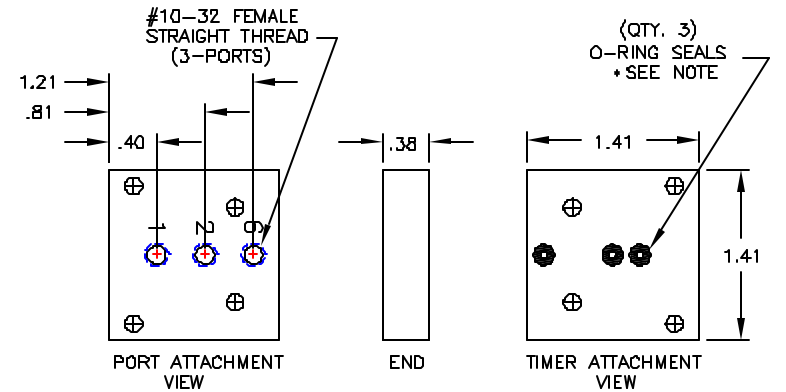
- 1 = #10-32 Female
Straight Thread
- 2 = 1/8" NPTF Female
Pipe Thread

PORT LOCATIONS & NO. OF CONNECTIONS

- A = 3 bottom ports only
- B = 6 side ports only
- C = 6 side ports and 3 bottom ports

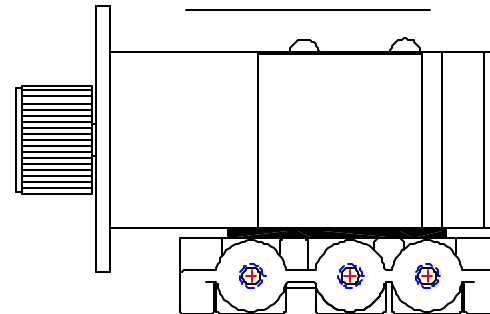


(OPTIONAL) MFD1A MANIFOLD

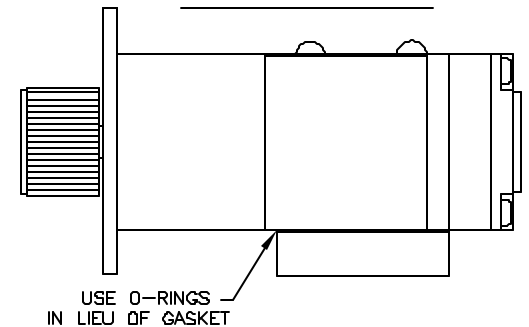


*NOTE: DISCARD SUBPLATE GASKET THAT IS SUPPLIED WITH TIMER WHEN USING THIS MANIFOLD. THE O-RING SEALS PROVIDED WITH MANIFOLD ARE TO BE USED IN LIEU OF THAT GASKET.

TIMER & SPA1C



TIMER & MFD1A



ELLIS/KUHNKE CONTROLS

| | | | | |
|----------|-----|--------|--|---------|
| DRAWN BY | EJL | 3/1/00 | PANELMOUNT-VERTICAL BEZEL PMT SERIES TIMERS | |
| CHECKED | | | SIZE | B |
| ISSUED | | | FSCM NO. | |
| | | | DWG. NO. | STYLE 2 |
| | | | SHEET 2 OF 2 | |