

TECHNICAL SPECIFICATIONS:

OPERATING PRESSURE:
 25 to 150 PSI (detented mode)
 45 to 150 PSI (spring return mode)

CONNECTIONS:
 1/8" NPT Ports

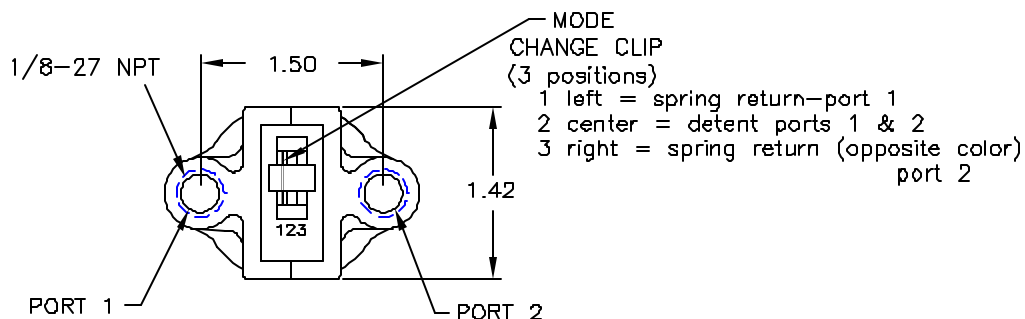
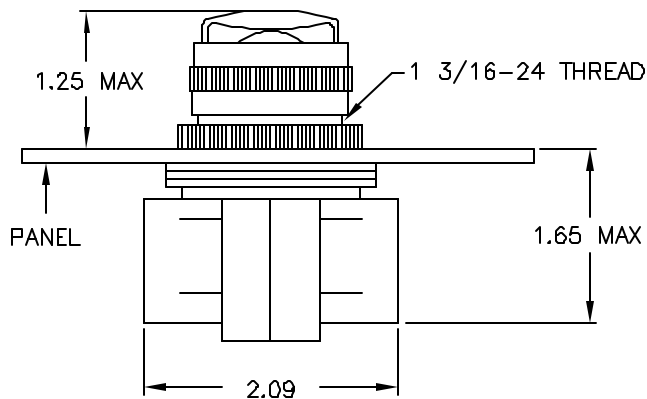
OPERATING AMBIENT:
 35°F to 150°F (2°C to 65°C)

PANEL THICKNESS: (inches)
 1/16 to 3/8

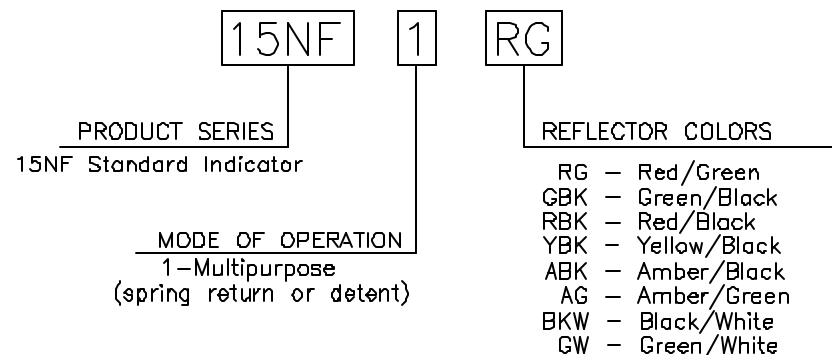
MATERIALS:
 Lens - Acrylic
 Lens Ring - ABS
 Housing - Acetal (glass filled)
 Internal - Stainless Steel
 Buna N

MOUNTING HOLES: (inches)
 1 13/64 Dia (1.203 Dia)

DIMENSIONS: (inches)
 2-1/8W x 1-3/4H x 2-3/4D



HOW TO ORDER:



NOTE: First color specified in the model number is for the un-pressurized state.

15NF Series Indicators provide two color visual indication of the presence or absence of air (or non-aggressive gas) pressure in a system. The visual indications are available in a variety of color choice combinations. They are field programmable for two modes of operation. By moving a mode change clip (located on the bottom of the device) you can set the indicator to spring return to either color or change to a detent mode. In the detent mode you apply pressure to one port, the color changes, and stays in that position until the other port is pressurized. This returns the indicator back to its original position.

The indicators are designed for oil tight panel applications. A rounded lens configuration provides for a 180° view of indicator status. Devices are easily panel mounted. Product is shipped with mode clip in the most commonly used position 1. Use port 1 to operate.

ELLIS/KUHNKE CONTROLS					
DRAWN BY	EJL	3/14/00	NF SERIES PNEUMATIC INDICATOR		
CHECKED					
ISSUED			SIZE	FSC#	DWG. NO.
			B	NE	15NF
			SCALE	4:1	SHEET